

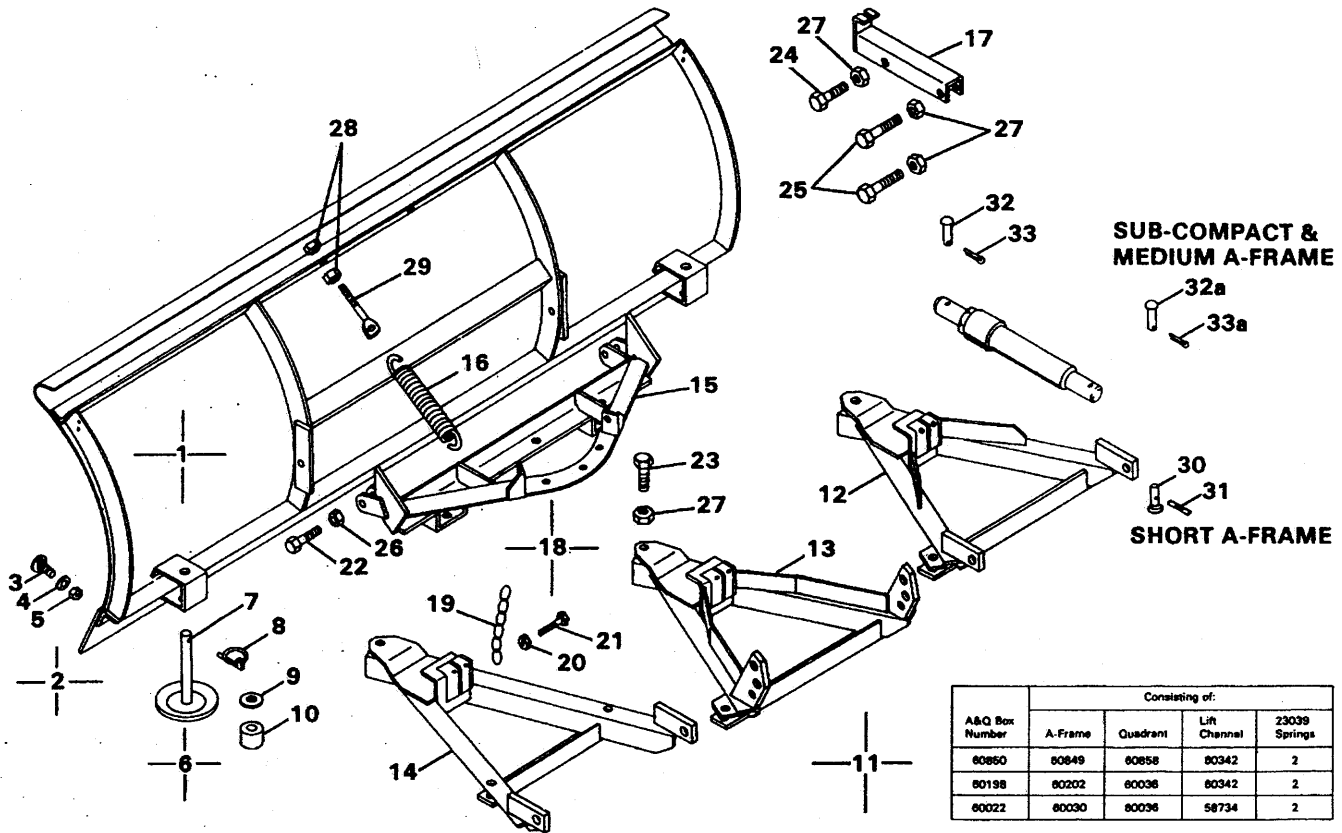


**WESTERN PRODUCTS**  
 7777 NORTH 73RD STREET  
 P.O. BOX 23045  
 MILWAUKEE, WISCONSIN 53223

A DIVISION OF DOUGLAS DYNAMICS, INC.

SUB-COMPACT  
 COMPACT  
 STANDARD  
 Blade, A-Frame  
 Quadrant & Lift Channel

**DIAGRAM AND PARTS LIST**



A&Q Box Number	Consisting of:			
	A-Frame	Quadrant	Lift Channel	23039 Springs
60860	60849	60858	60342	2
60198	60202	60036	60342	2
60022	60030	60036	58734	2

Item	Part No.	Quan.	Description
1	60860	1	Blade Assembly — 6' Sub-Compact (PSC)
1	60214	1	Blade Assembly — 6-1/2' Compact (PC)
1	60120	1	Blade Assembly — 6-1/2' Standard (PS)
1	60125	1	Blade Assembly — 7' Standard (PS)
1	60018	1	Blade Assembly — 7-1/2' Standard (PS)
2	49069	1	*Cutting Edge Assembly — 6' PSC
2	49068	1	*Cutting Edge Assembly — 6-1/2' PC
2	49066	1	*Cutting Edge Assembly — 6-1/2' PS
2	49070	1	*Cutting Edge Assembly — 7' PS
2	49078	1	*Cutting Edge Assembly — 7-1/2' PS
3	90247	7	Carriage Bolt 1/2"-13 x 1-1/2"
3		8	(Short Square) — PSC
3		8	(Short Square) — PC
3	90238	8	Carriage Bolt 1/2"-13 x 1-3/4" Gr.8 PS
4	91205	7	Lock Washer — 1/2" — PSC
4		8	— PC & PS
5	91415	7	Hex Nut — 1/2"-13 — PSC
5		8	— PC & PS
6	49030	2	Disc Shoe Assembly — PSC
6	49067	2	Disc Shoe Assembly — PC & PS
6	49071	2	Disc Shoe Assembly — Heavy Duty (Optional Service Part-May Replace 49067) Includes Items No. 7, 8, 9 & 10.
7		1	Disc Shoe Unit
8	93010	1	Linch Pin
9	91109	19	Flat Washer — 1" SAE
10	60045	1	Spacer
11	60850	1	Sub-Compact A-Frame & Quadrant Assembly

Item	Part No.	Quan.	Description
11	60198	1	Short A-Frame & Quadrant Assembly
11	60022	1	Medium A-Frame & Quadrant Assembly
12	60849	1	Short A-Frame Unit — PSC
13	60202	1	Short A-Frame Unit — PC & PS
14	60030	1	Medium A-Frame Unit — PC & PS
15	60858	1	Quadrant Unit — PSC
15	60036	1	Quadrant Unit — PC & PS
16	23039	2	Spring
17	58734	1	Lift Channel (60030 A-Frame)
17	60342	1	Lift Channel (60849 or 60202 A-Frame)
18	49033	1	Chain Assembly
19		1	Chain
20	91333	1	Locknut — 3/8"-16 Nylon Insert Type
21	90045	1	Capscrew — 3/8"-16 x 2-1/2" Long — Gr.
22	90132	2	Capscrew — 5/8"-11 x 3" Long — Gr. 5
23	90154	1	Capscrew — 3/4"-10 x 2" Long — Gr. 5 - PS
23	90155	1	Capscrew — 3/4"-10 x 2-1/2" Long — Gr. 5 PC & PS
24	90157	1	Capscrew — 3/4"-10 x 3" Long — Gr. 5
25	90159	2	Capscrew — 3/4"-10 x 3-1/2" Long — Gr.
26	91337	2	Locknut — 5/8"-11 Nylon Insert Type
27	91338	4	Locknut — 3/4"-10 Nylon Insert Type
28	91416	4	Hex Nut — 5/8"-11
29	90490	2	Eyebolt — 5/8"-11 x 4" — PSC
29	90493	2	Eyebolt — 5/8"-11 x 6" w/2 No.91416 Nuts PC & PS

Use only with 60202 Short A-Frame and Hydra-Turn®  
 30 93085 2 Rivet — 3/4" x 3-1/2"  
 31 92004 2 Groove Pin — 3/16" x 1-1/4"  
 Use on 60849 or 60202 Short or 60030 Medium A-Frame and Hydra-Turn®  
 32 93063 2 Rivet — 3/4" x 3-1/2"  
 33 91911 2 Cotter Pin — 5/32" x 1-1/2"  
 Use only with 60849 Short or 60030 Medium A-Frame and Hydra-Turn®  
 32a 93063 2 Rivet — 3/4" x 3-1/2"  
 33a 91911 2 Cotter Pin — 5/32" x 1-1/2"

\*All cutting edge assemblies include appropriate number of bolts, nuts and washers.  
**NOTE:** Only those items indicated with a **PART NUMBER** are available for service.